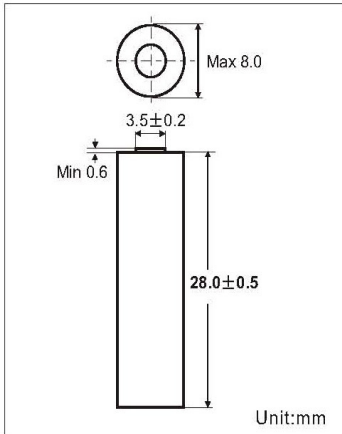


**ALKALINE BUTTON CELL**

**27A**

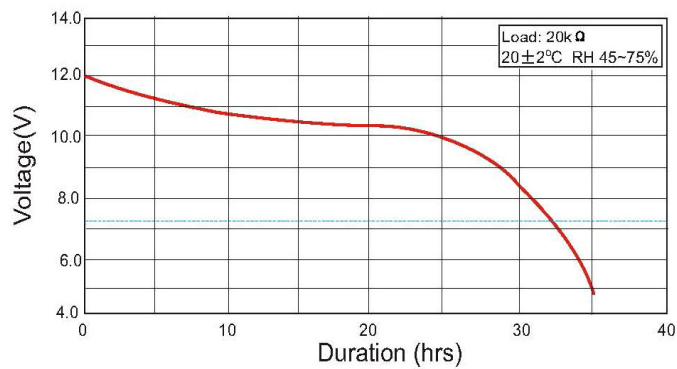


**Chemical System :** Primary Alkaline  
**Camelion No. :** 27A  
**Average Weight :** 4.6g  
**Dimension (∅ x H) :** 8.0 x28.5 mm  
**Terminals :** Flat  
**Nominal Voltage :** 12.0Volts  
**Nominal Service Capacity:** 16mAh  
 (20±2°C , Rated at 20KΩ to 7.2V)  
**Jacket :** Aluminum Foil Label  
**Cross Reference:** EL-812(Japan), B-1(Bronica)

**Discharge Characteristic**

Load Resistance	Cut Off Voltage	Discharge Pattern	Duration
20.0kΩ	7.20V	24hrs/day	32hrs

**Discharge Curve**



**Notice:**

Environmental elements comply with ROHS requirements. This information is subject to change without prior notice and for reference only. It should not be used as a product guarantee or warranty. For additional information, please contact with Vapex Technology Limited.